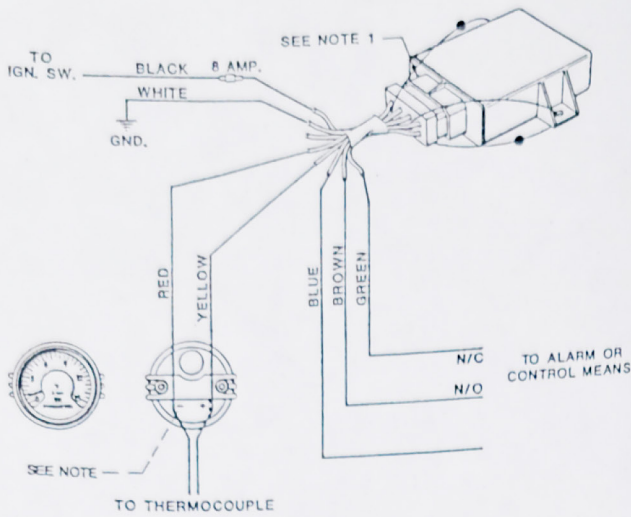


PYRO-SWITCH WIRING DIAGRAM

SINGLE PYRO-SWITCH

P/N : 030-021

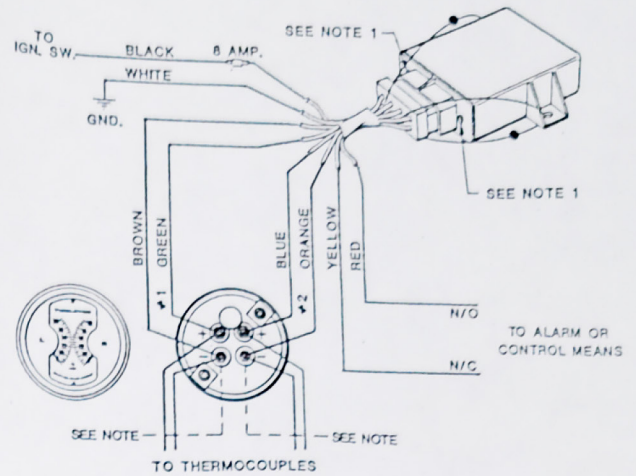
ONE THERMOCOUPLE IN, ONE ALARM OUT



DUAL PYRO-SWITCH

P/N : 030-017

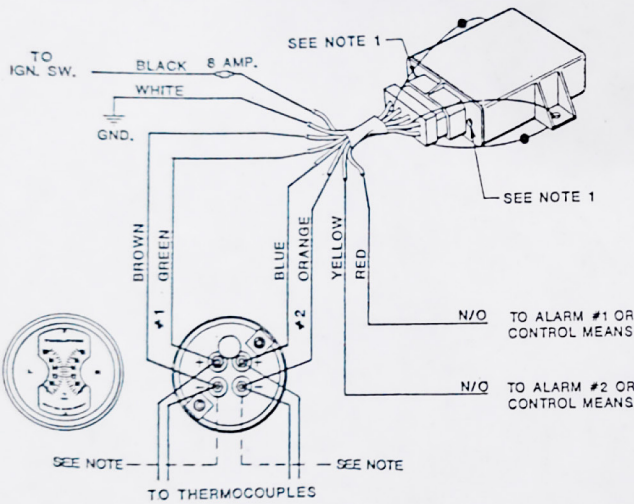
TWO THERMOCOUPLES IN, ONE ALARM OUT



DUAL PYRO-SWITCH

P/N : 030-054

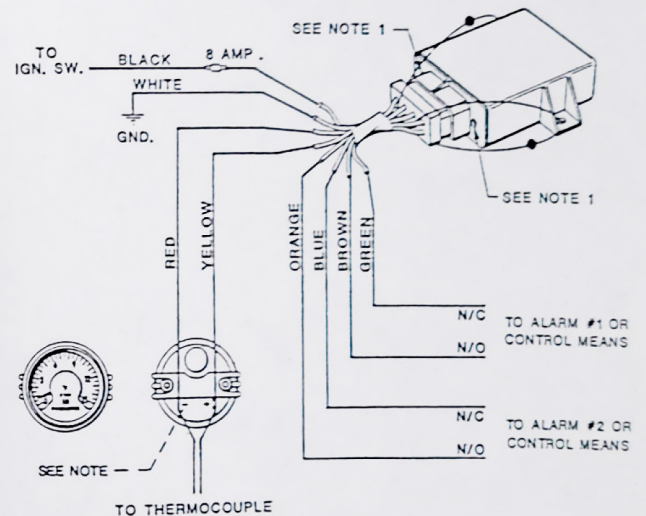
TWO THERMOCOUPLES IN, TWO ALARMS OUT



DUAL PYRO-SWITCH

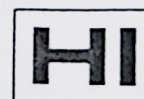
P/N : 030-058

ONE THERMOCOUPLE IN, TWO ALARMS OUT



NOTES:

1. SET POINT ADJUSTMENT:
 - CLOCKWISE TO RAISE.
 - COUNTERCLOCKWISE TO LOWER.
 FOR TWO ALARM SETTINGS:
 - ALARM #1 ADJUST FOR LOW SETTING.
 - ALARM #2 ADJUST FOR HIGH SETTING.
 SEAL HOLES AFTER VERIFICATION.
2. INSTALL SEAL WIRES AFTER INSTALLATION.
3. WHEN BENCH TESTING SYSTEM, GROUND THERMOCOUPLE TUBE IF GROUNDED THERMOCOUPLE OR GROUND RED WIRE IF UNGROUNDED THERMOCOUPLE.
4. FOR UNGROUNDED THERMOCOUPLES, NEG. TERMINAL OF INSTRUMENT MUST BE GROUNDED.
5. FOR 24 VDC SYSTEM, ADD -1 TO PART NO. (EXAMPLE: 030-021-1).



HEWITT
INDUSTRIES OF L.A.

5492 Bolsa Ave., Huntington Beach, CA 92649
Phone (714) 891-9300 FAX: (714) 897-7632